

This guide covers basic installation and configuration and is intended for first time setup or product evaluation.

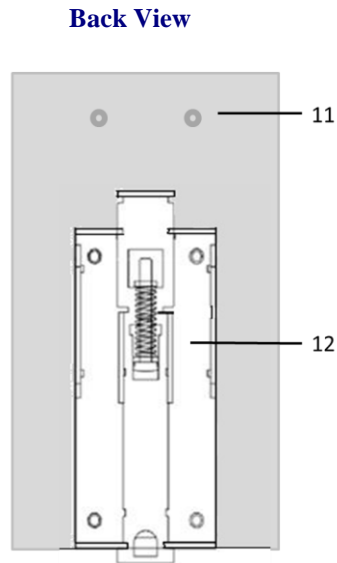
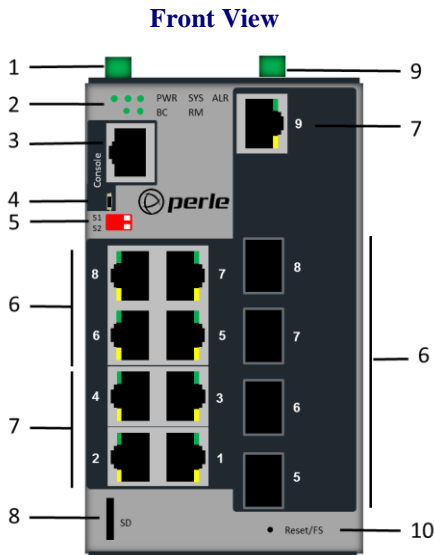
Complete details can be found in the following guides at www.perle.com/downloads.

- IDS-409C Hardware Installation Guide
- IDS Managed Switches User Guide
- IDS Managed Switches CLI Guide

What's in the box?

- The IDS switch
- Quick Start Guide (this document)

Hardware Overview

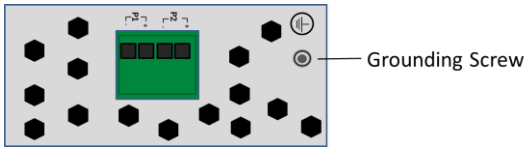


- 1 – Terminal Block for Power 1, 2
- 2 – Status LEDs
- 3 – Console Port – serial
- 4 – Console Port – USB
- 5 – DIP switches
- 6 – Combo Ports - Ethernet/SFP*

- 7 – Ethernet Ports
- 8 – SD card slot
- 9 – Terminal Block – Relay, I/O
- 10 – Reset / FS (Fast Setup)
- 11 – Wall Mount Bracket Screw Holes
- 12 – DIN Rail Clip

* Combo ports share a common status LED located on the Ethernet connector.

Wiring the Terminal Block



Connecting the switch to ground (optional)

If your installation requires additional grounding, refer to the Hardware Installation Guide for information on connecting ground.

Connecting power to the IDS switch

You may connect both sets of power inputs to provide redundant power.

1. Ensure the power source is off prior to connection.
2. Using a pair of 12-20AWG wires, strip them both 7-8mm (5/16”).
3. Loosen the terminal block screws and connect positive (+) / negative (-) wires in the +/- terminals.
4. Tighten terminal screws (0.51Nm torque). Ensure the wires are securely fastened.
5. Re-insert the terminal block connector if removed. Turn power on at source. Check LED indicators for status.
6. Connect P2 (power source 2, beginning at Step 1).



For complete wiring instructions and for all Hazardous Locations and general safety warnings consult the Hardware Installation Guide.

Inserting a SFP Module

Before connecting fiber cable to the switch, the SFP(s) must be installed, following the procedure below.

1. Carefully align the SFP with the slot, ensuring the latching mechanisms will line up. Also ensure the bale on the SFP is closed.
2. Slide the SFP until the connector is seated in the slot and latched. If you are unable to fully insert the SFP, reverse the orientation and retry.

Connecting a fiber device

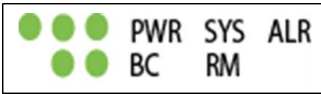
Insert SFP(s) into an SFP slot(s) and connect the LC fiber cable to the SFP(s). Each SFP is part of a combo ports, the switch will use the first of the Ethernet/SFP pair that establishes a link.

Connecting Ethernet

Connect network or devices to Ethernet ports using Cat5/5e Ethernet cables. For combo ports, the switch will use the first of the Ethernet/SFP pair pair that establishes a link.

LED Indicators

(For detailed information refer to the Hardware Installation Guide)



PWR (Power Inputs)

- **Green**—P1 and P2 Power inputs are within specifications
- **Orange**—P1 or P2 not providing power within specifications
- **Red**—Neither P1 or P2 providing power within specifications

SYS (System status)

- **Green blinking**—System booting
- **Green solid**—System operating normally
- **Green blinking fast**—Fast Setup mode activated
- **Red**—Hardware fault or firmware load error.

Ethernet Port Link / Speed (Green and Yellow LEDs)

- **1000 Mbps** Green on, Yellow off
- **100 Mbps** Green on, Yellow on
- **10 Mbps** Green off, Yellow on

Note: Blinking indicates activity

SFP Port Link/Activity

- **Green solid** – Fiber link
- **Green blinking** – Fiber link and port activity

Note: SFP Link/Activity LED is located on the Ethernet connector of the combo pair.

Note: Alr (Alarm), BC (Backup Coupling), RM (Ring Master) see Hardware Installation Guide

Fast Setup

Fast Setup provides a simple method of doing an initial setup from a PC. It only requires a PC Ethernet connection and a web browser. Other methods to configure the IDS Switch can be found in the IDS Switch User’s guide.

1. Your PC must be set to obtain an IP address automatically using DHCP (See Control Panel ->Network and Sharing Center -> Change adapter settings ->Local Area Connection Properties ->Internet Protocol Version (TCP/IPv4) ->Properties ->Select Obtain an IP address automatically.
2. Press and hold the reset button (9) on the switch for 4 seconds and then release it. Since the reset button is recessed in the switch, a small tool such as a paper clip will be required. The yellow and green LEDs on an unused RJ-45 connector will flash rapidly to indicate where to plug in the Ethernet cable from your PC.
3. Using a web browser, enter to a well known webpage such as www.google.com, you will be automatically directed to the IDS Get Started screen.



Note: While in Fast setup mode the IDS switch will use an IP address of 169.254.0.1. If step 3 fails to direct the browser properly, then enter the switch’s IP address into the browser’s address bar.



4. Once connected, fill in the required fields, apply changes to save and exit. The configuration changes will be immediately applied to the switch.
5. The PC can now be reset to its normal network address and the switch can be accessed using the conventional IP addressing.

© 2016 Perle Systems Limited. All rights reserved.